

**SAC-4P- 3,0-PUR/M12FS-2L**

Order No.: 1694813



Sensor/actuator cable, 4-pos., PUR halogen-free black, free conductor end on straight M12 socket, with two LEDs, cable length: 3 m

**Commercial data**

EAN	4017918179816
Pack	1 Pcs.
Customs tariff	85444290
Weight/Piece	0.1012 KG
Catalog page information	Page 70 (PC-2007)

**Product notes**

WEEE/RoHS-compliant since:  
08/03/2006

**Technical data****General data**

Nominal current $I_N$	4 A
Nominal voltage $U_N$	24 V
Number of positions	4
Volume resistance	$\leq 5 \text{ m}\Omega$
Insulation resistance	$\geq 10 \text{ M}\Omega$

Length of cable	3 m
Ambient temperature (operation)	-25 °C ... 90 °C (plug/socket)
	-40 °C ... 80 °C (cable, fixed installation)
	-5 °C ... 80 °C (cable, flexible installation)

**General characteristics**

Coding	A - standard
Inflammability class acc. to UL 94	HB
Surge voltage category	II
Pollution degree	3
Degree of protection	IP65/IP68/IP69K
Contact material	CuSn
Contact surface material	Ni/Au
Contact carrier material	TPU GF
Material of grip body	TPU, hardly inflammable, self-extinguishing
Material, knurls	Zinc die-cast, (nickel-plated)
Sealing material	NBR
Status display	2 LEDs

**Conductor data**

Cable type	PUR halogen-free black
Cable abbreviation	Li9Y11Y-HF
Conductor cross section	0.34 mm <sup>2</sup>
AWG signal line	22
Conductor structure, signal line	42x 0.10 mm
Core diameter including insulation	1.27 mm ±0.02 mm
Thickness, insulation	Approx. 0.21 mm (Core insulation)
	Approx. 0.8 mm (Outer cable sheath)
External cable diameter	4.70 mm
Wire colors	Black, brown, blue, white
External sheath, color	Black-gray RAL 7021
Insulation resistance	≥ 100 MΩ*km
Conductor resistance	≤ 58 Ω/km
Nominal voltage, conductor	300 V
Test voltage, conductor	3000 V
Overall twist	4 wires, twisted

Outer sheath, material	PUR
Material conductor insulation	PP
Conductor material	Bare Cu litz wires
Cable weight	30 kg/km
Smallest bending radius, movable installation	47 mm
Max. bending cycles	4000000
Bending radius	47 mm
Traversing path	10 m
Traversing rate	3 m/s
Acceleration	10 m/s <sup>2</sup>
Special properties	Flexible cable conduit capable
Flame resistance	As per UL-Style 20549
Freedom from halogen	As per DIN VDE 0472 part 815

**Certificates / Approvals**

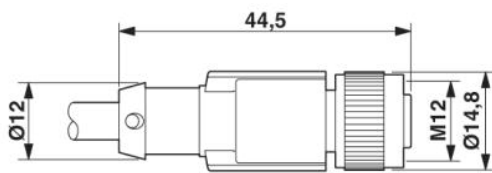


Certification

CUL Listed, GOST, UL Listed

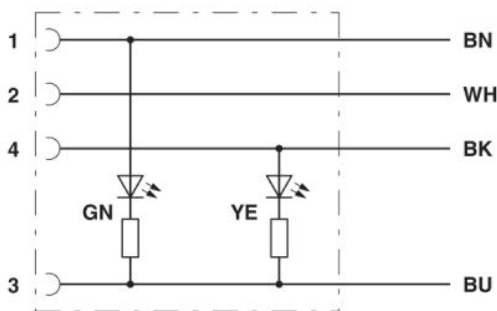
**Drawings**

Dimensioned drawing



Socket M12 x 1, straight, with LED

Circuit diagram



Contact assignment of M12 sockets with 2 LEDs

Schematic diagram

Pin assignment M12 socket, 4-pos., A-coded, view female side

